

INSTALLATION INSTRUCTIONS

Series 765

Pressure Vacuum Breakers

Sizes: 1/2" – 2" (15 – 50mm)

Installation Instructions

1. Consult local codes for specific requirements and restrictions applicable to your area. It is recommended that system supply pressure be at least 20psi (138 kPa).
2. These instructions apply to the FEBCO Series 765 PVB sizes 1/2" – 2" (15 - 50mm) only. The valves may be installed only in the orientation/flow direction as shown.
3. The Series 765 must be installed where it is accessible for periodic testing and maintenance. Clearances shown in the installation views apply to the exterior and interior installations and are only recommendations. These minimums do not apply to removable protective enclosures. Refer to local codes for actual requirements in your area.
4. **PRIOR TO INSTALLING THE VALVE INTO THE LINE, FLUSH THE SUPPLY LINE OF ALL FOREIGN MATERIAL.** Failure to flush the supply line may cause the check valves to become fouled and require disassembly and cleaning. The device should be installed where some spillage is not objectionable, as instantaneous siphon conditions and pressure surges may cause "spitting".
5. When threading the device inline, place the wrench only on the ball valve hex ends. Keep pipe dope (sealant) off the interior surfaces of the valve. After installation fill the assembly with water. Test the valve assembly to ensure correct operation.

Open the inlet ball valve to pressurize the device. Slowly open the outlet ball valve to fill the downstream line.

NOTE: The downstream pressure must be maintained above 5psi (34 kPa) to keep the spring loaded air inlet poppet closed.

NOTE: All assemblies are tested at the factory for proper operation and leakage. If the valve does not pass the field test, it is most likely due to a fouled check valve. This is not covered by the factory warranty. The valve cover(s) must be removed and the check seats inspected and cleaned. Any damage or improper operation caused by pipeline debris or improper installation / start-up is not included in the factory warranty.

In case of a possible warranty claim, contact your local supplier or FEBCO Representative. **DO NOT REMOVE THE VALVE ASSEMBLY FROM THE PIPELINE.**

6. The assembly must be protected from freezing and excessive pressure increases. Pressure increases can be caused by thermal expansion or water hammer. These excessive pressure situations must be eliminated to protect the valve and system from possible damage.
7. Plastic testcock plugs and tethers are provided (loose in box) for areas that require them. Refer to FEBCO literature on PVB freeze protection, "Freeze Protection 765."

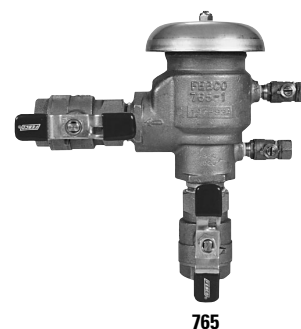


Figure 1

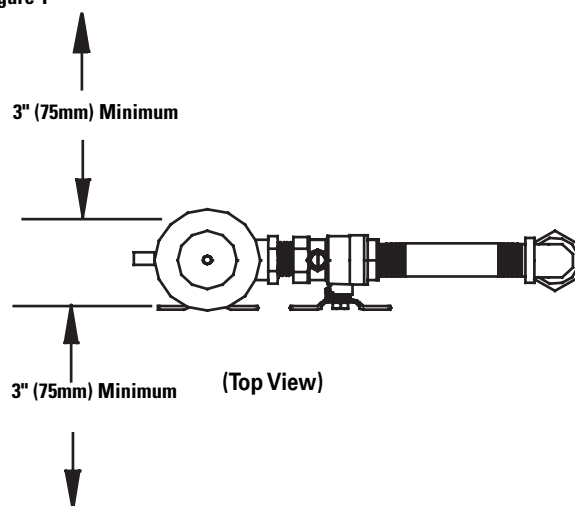
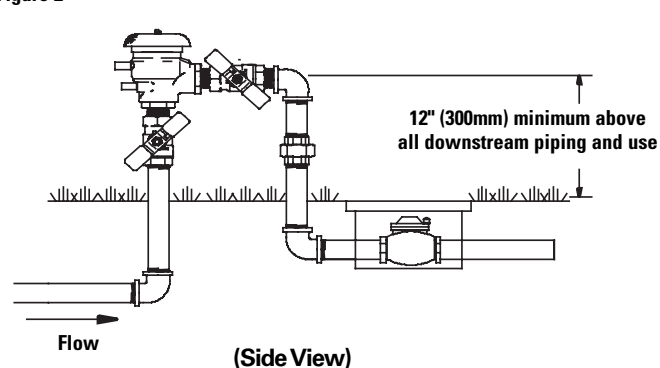


Figure 2



Service and Maintenance

Close the outlet shutoff valve, then close the inlet shutoff valve. Bleed residual pressure from the assembly by opening the #2 and #1 tests cocks in this sequence.

General

1. Detailed maintenance manuals are available from your local FEBCO representative.
2. Rinse all parts with clean water prior to reassembly.
3. **DO NOT USE ANY PIPE DOPE, OIL, GREASE, OR SOLVENT ON ANY PARTS** unless instructed to do so.
4. Do not force parts. Parts should fit together freely. Excess force may cause damage and render the assembly inoperable.
5. Carefully inspect seals and seating surfaces for debris or damage.
6. After servicing, repressurize the assembly and test to ensure proper operation.

Test Procedure

FEBCO recommends the use of the appropriate test method presented in the ASSE Series 5000 manual that is consistent with your local codes.

Troubleshooting

PROBLEM	CAUSE	SOLUTION
1. Check valve fails to hold 1.0 psid minimum	A. Debris on sealing valve surfaces B. Damaged seat disc	Disassemble and clean check Disassemble and replace seal
2. Poppet fails to open at 1.0 psig minimum	A. Debris restricting free operation B. Poppet seal adhering to bonnet	Disassemble and clean check Disassemble and clean check replace damaged parts
3. Significant discharge	A. Poppet and/or bonnet due to thermal expansion (See freeze protection.)	Replace broken bonnet/poppet

CALIFORNIA PROPOSITION 65 WARNING

WARNING: This product contains chemicals known to the State of California to cause cancer and birth defects or other reproductive harm. (California law requires this warning to be given to customers in the State of California.)

For more information: www.watts.com/prop65

Limited Warranty: FEBCO warrants each product to be free from defects in material and workmanship under normal usage for a period of one year from the date of original shipment. In the event of such defects within the warranty period, the Company will, at its option, replace or recondition the product without charge. This shall constitute the sole and exclusive remedy for breach of warranty, and the Company shall not be responsible for any incidental, special or consequential damages, including without limitation, lost profits or the cost of repairing or replacing other property which is damaged if this product does not work properly, other costs resulting from labor charges, delays, vandalism, negligence, fouling caused by foreign material, damage from adverse water conditions, chemical, or any other circumstances over which the Company has no control. This warranty shall be invalidated by any abuse, misuse, misapplication or improper installation of the product. **THIS WARRANTY IS IN LIEU OF ALL OTHER WARRANTIES, EXPRESS OR IMPLIED, INCLUDING ANY IMPLIED WARRANTIES OF MERCHANTABILITY OR FITNESS FOR A PARTICULAR PURPOSE.** Any implied warranties that are imposed by law are limited in duration to one year.

Some States do not allow limitations on how long an implied warranty lasts, and some States do not allow the exclusion or limitation of incidental or consequential damages. Therefore the above limitations may not apply to you. This Limited Warranty gives you specific legal rights, and you may have other rights that vary from State to State. You should consult applicable state laws to determine your rights.

