

Swing Pipe Tubing and Fittings

Swing Pipe – SP and SPX Series

Use Rain Bird Swing Pipe with Spiral Barb Fittings as a flexible swing joint assembly for sprays and rotors.

Features

- Available in 100' (30 m) coils and 20' (6 m) lengths
- Linear-low density polyethylene material
- Available in new kink-resistant extra flexible version (SPX-FLEX100)
- Color: black

Specifications

- Nominal inside diameter:
 - 0.490" (12.4 mm) (SP-100)
 - 0.487" (12.37 mm) (SPX-100)
 - 0.487" (12.37 mm) (SPX-FLEX)
- Minimum wall thickness:
 - 0.080" (2.16 mm) (SP-100)
 - 0.098" (2.5 mm) (SPX-100)
 - 0.098" (2.5 mm) (SPX-FLEX)
- Operating rating of up to 80 psi (5,5 Bars) and 110° F (43°C)

Models

- SP-20STICK: 20' (6 m) length
- SP-100: 100' (30 m) coil
- SPX-100: 100' (30 m) coil
- SPX-FLEX-100: 100' (30 m) coil

Spiral Barb Fittings – SB Series

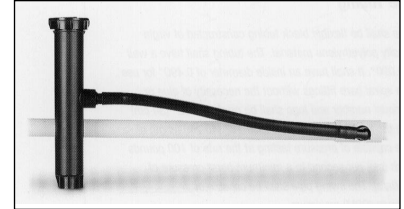
For use in conjunction with Swing Pipe as a flexible swing joint assembly.

Features

- Seven models available
- Spiral barb design permits twist-in insertion; eliminates the need for glue or clamps
- Hard Acetal thermoplastic material, for sharper barbs
- Colors: Black (½") and Gray (¾")

Specifications

- Operating rating of up to 80 psi (5,5 Bars), and 110°F (43°C)



How to Specify/Order:

SP - 100

Model

SP: Swing Pipe

SPX: Flexible Swing Pipe

SPX-FLEX: Extra Flexible Swing Pipe

Length (XXX)

100'

20' (STICK)



Specifications

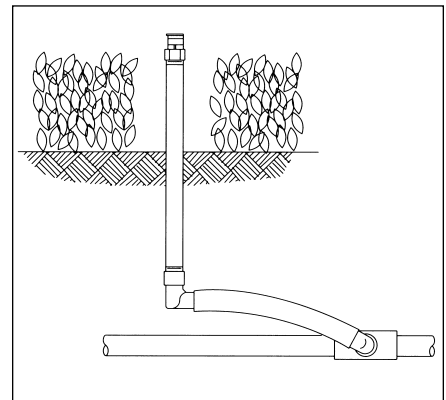
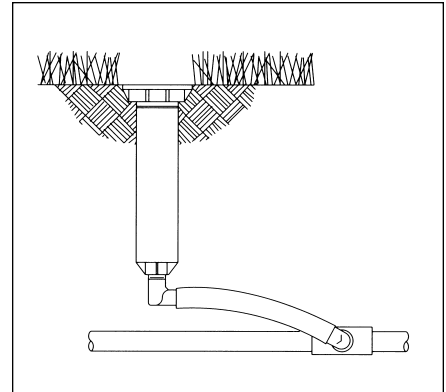
SP-100, SP-20, SPX-100 AND SPX-FLEX-100

Swing Pipe Tubing

The swing pipe shall be flexible black tubing constructed of linear low density polyethylene material. The tubing shall have a wall thickness of 0.080" for the SP model and 0.098" both for the SPX and SPX-FLEX models. It shall have a nominal inside diameter of 0.49" for SP and 0.487" for SPX and SPX-FLEX for use with SB Series spiral barb fittings without the necessity of glue or clamps. The model number, manufacturer's name and date of manufacture shall be printed at intervals of between 3' and 6' along the length of the tubing. Each 18" (46 cm) length of tubing shall be capable of pressure testing at the rate of 80 pounds per square inch (psi) per second to a minimum burst pressure of 325 psi (22,4 Bars) for SP and 350 psi (24,1 Bars) for SPX and SPX-FLEX. The swing pipe shall be capable of 8 gallons per minute (GPM) maximum.

The tubing shall have an operating pressure rating of 80 psi at 110°F (5,5 Bars at 43°C).

The swing pipe tubing shall be as manufactured by Rain Bird Sprinkler Mfg. Corp., Glendora California.



Rain Bird Corporation

970 West Sierra Madre Avenue, Azusa, CA 91702
Phone: (626) 963-9311 Fax: (626) 812-3411, (626) 812-3608

Rain Bird Corporation

4261 South Country Club Road, Tucson, AZ 85714
Phone: (520) 741-6100 Fax: (520) 741-6146

Rain Bird International, Inc.

145 North Grand Avenue, Glendora, CA 91740
Phone: (626) 852-7100 Fax: (626) 963-4287

Rain Bird Technical Services

(800) 247-3782 (U.S. only)

Specification Hotline

800-458-3005 (U.S. only)

www.rainbird.com

♻️ Recycled Paper.

Rain Bird. Conserving More Than Water

© Registered Trademark of Rain Bird Corporation

© 2004 Rain Bird Corporation 04/04

D39027E