



**VISTA
PROFESSIONAL
OUTDOOR
LIGHTING**

Type: _____

Model: _____

Project: _____

SPECIFICATION SHEET

MODEL: 2516 - Copper Series: Up and Accent Lights

SPECIFICATIONS:

HOUSING:

Heavy-gauge, extruded, solid copper housing fitted to a precision CNC-machined, solid brass base. A solid copper lens-retaining flange and high temperature, color-coordinated silicone seal – provides a superior weather-tight seal.

FINISH:

Brushed natural copper and brass. (Brushed copper will rapidly age to an elegant rich bronzelike color and may develop areas of patina over time.)

SOCKET/LAMP HOLDER:

Top grade ceramic socket with nickel contacts, fixed-position design lamp mechanism with stainless steel lamp-retaining clip, and Teflon-jacketed wire leads.

LENS:

Clear, tempered, shock and heat-resistant, soda-lime glass lens. Optical effect lenses are available; see accessories column on fixture ordering information chart.

LAMP TYPE:

MR-16 Halogen – 50W maximum. LN-20 BAB (20W) Standard.
(See back page for LED lamp specifications)

MOUNTING:

Solid brass adjustable knuckle with 1/2" NPT. Fixture may be mounted into threaded hubs in junction boxes, ground stakes, tree-mount boxes, or mounting canopies. Please see fixture ordering information for mounting selection. Please see fixture ordering information for mounting selection.

FASTENERS:

All fasteners are stainless steel.

WIRING:

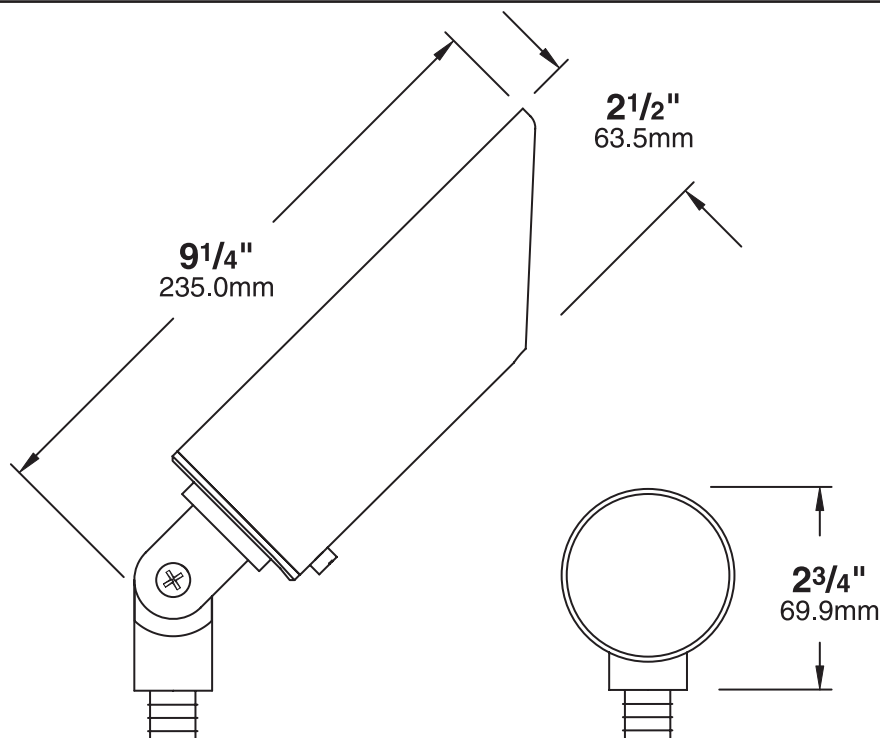
Prewired with a three-foot pigtail of 18-2 direct-burial cable and underground connectors for a secure connection to the supply cable.

CERTIFICATION:

UL Listed to U.S. and Canadian safety standards for low voltage landscape luminaires (UL 1838). The maximum wattages allowed by Underwriters Laboratories (UL) for the U.S. and Canadian markets may vary. Maximum wattages specified are Underwriters Laboratories U.S. standard. Please contact Vista for any questions about the maximum wattages allowed by UL Canadian standards.

All Vista luminaires are **MADE IN THE U.S.A.**

DIMENSIONS:



In an effort to improve product design U.S.T.E., Inc. reserves the right to modify the specifications of this fixture.

LED LAMP SPECIFICATIONS (if applicable) :

LAMP TYPE:

Type 3 Luxeon High Output LED with Vista exclusive smart-driver, powered to operate for 50,000 hours.

OPTICS:

Integral high-efficiency optics available in spot through flood beam spreads.

ELECTRICAL:

Input voltage range 5–15V AC, regulated to achieve uniform illumination throughout the cable run of fixtures. Integral surge & reverse polarity protection.

FIXTURE ORDERING INFORMATION

TO ORDER FIXTURE: Select appropriate choice from each column as in the following example

EXAMPLE: GR-2516-CSN-BAB-FR

MOUNTING	CATALOG NO.	FINISH	LAMP	ACCESSORIES
GR- ABS ground stake incl. WB* - Solid brass wall mount canopy incl.	2516	CSN- Natural Copper and Brass SS- Natural Stainless Steel and Brass	(Please see lamp order code column on lamp guide, Vista product catalog.)	BL- Cool Blue lens SL- Spread lens FR- Flat Frosted lens DBL- Dark Blue lens GL- Dark Green lens RL- Red lens YL- Amber lens HL- Honeycomb louver

Fixtures shipped with standard lamp, unless otherwise specified.

Fixtures shipped with specified mounting hardware.

*Powder-coated die-cast aluminum tree mount junction box and wall-mount canopy are also available.