



**VISTA
PROFESSIONAL
OUTDOOR
LIGHTING**

Type: _____

Model: _____

Project: _____

SPECIFICATION SHEET

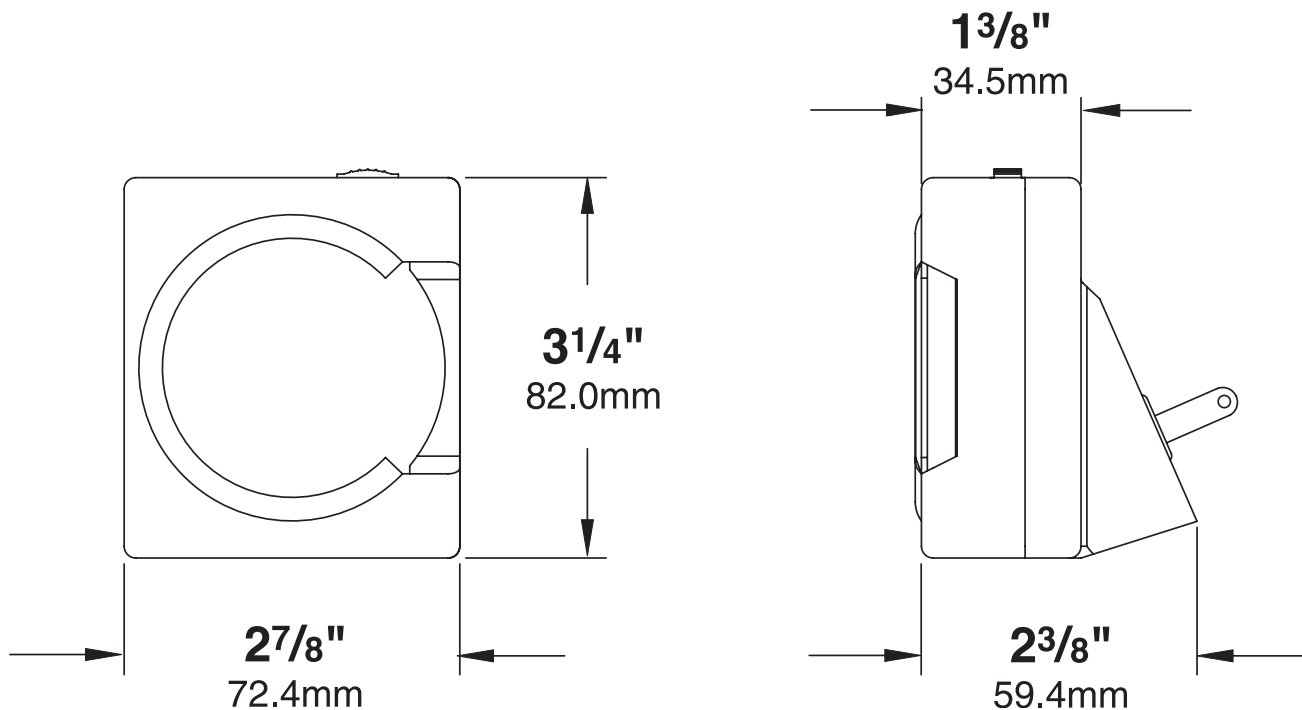
MODEL: TC-112 *Transformer Accessory*

SPECIFICATIONS:

DESCRIPTION:

24-hour Plug-in Mechanical Timer
Multiple on/off settings

DIMENSIONS:



In an effort to improve product design
U.S.T.E., Inc. reserves the right to modify
the specifications of this accessory.