



**VISTA
PROFESSIONAL
OUTDOOR
LIGHTING**

Type: _____

Model: _____

Project: _____

SPECIFICATION SHEET

MODEL: 4017 - 12V SERIES: Specialty Lights

SPECIFICATIONS:

HOUSING:

Heavy gauge extruded aluminum.

STEM:

Heavy gauge, adjustable, nickel plated stainless steel tubing.

FINISH:

Natural, polished aluminum housing & base with nickel plated stem.

SOCKET/LAMP HOLDER:

Top grade ceramic socket with nickel contacts, stainless steel springs, & Teflon-jacketed wire leads.

LENS:

Shock & heat resistant soda-lime glass lens.

LAMP TYPE:

MR16 – 20W maximum. LN-20 BAB (20W) Standard.

(See back page for LED lamp specifications)

ELECTRICAL:

Input voltage range 5-15V AC, regulated to achieve uniform illumination throughout cable run of fixtures. Integral surge and reverse polarity protection.

MOUNTING:

Bottom of stem threaded into CNC-machined solid aluminum mounting canopy.

FASTENERS:

All fasteners are stainless steel.

WIRING:

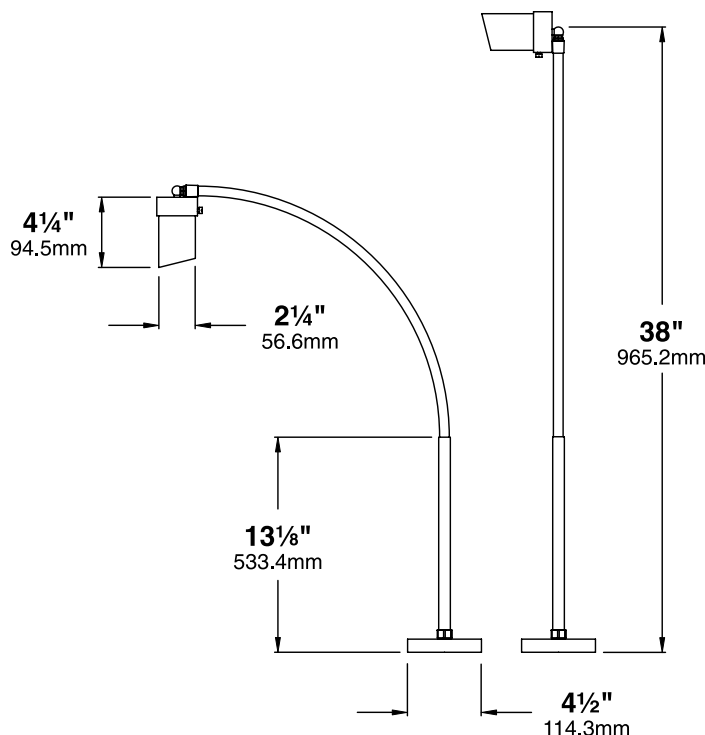
Prewired with a 3' pigtail of 18-2 direct-burial cable & underground connectors for a secure connection to the supply cable. Optional hardwired on/off switch available.

CERTIFICATION:

UL Listed to U.S. & Canadian safety standards for low voltage landscape luminaires (UL 1838). The maximum wattages allowed by Underwriters Laboratories (UL) for the U.S. & Canadian markets may vary. Maximum wattages specified are Underwriters Laboratories U.S. standard. Please contact Vista for any questions about the maximum wattages allowed by UL Canadian standards.

All Vista luminaires are **MADE IN THE U.S.A.**

DIMENSIONS:



In an effort to improve product design U.S.T.E., Inc. reserves the right to modify the specifications of this fixture.

1625 Surveyor Avenue • Simi Valley, CA 93063 • (805) 527-0987 • (800) 766-VISTA (8478)

FAX: (888) 670-VISTA (8478) • email@vistapro.com • www.vistapro.com

4017 (11/06)



LED LAMP SPECIFICATIONS (if applicable) :

LAMP TYPE:

Type 3 Luxeon High Output LED with Vista exclusive smart-driver, powered to operate for 50,000 hours.

OPTICS:

Integral high-efficiency optics available in spot through flood beam spreads.

ELECTRICAL:

Input voltage range 5–15V AC, regulated to achieve uniform illumination throughout the cable run of fixtures. Integral surge & reverse polarity protection.

FIXTURE ORDERING INFORMATION

TO ORDER FIXTURE: Select appropriate choice from each column as in the following example

EXAMPLE: FL-4017-N-BAB-FR

MOUNTING	CATALOG NO.	FINISH	LAMP	ACCESSORIES
FL- Flexible stem with solid CNC-machined aluminum mounting base included	4017	N- Nickel plated stainless steel and aluminum.	(Please see lamp order code column on lamp guide, Vista product catalog.)	BL- Flat Cool Blue lens SL- Flat Spread lens FR- Flat Frosted lens DBL- Flat Dark Blue lens GL- Flat Dark Green lens RL- Flat Red lens YL- Flat Amber lens HL- Honeycomb louver

Fixtures shipped with standard lamp, unless otherwise specified.

Fixtures shipped with specified mounting hardware.