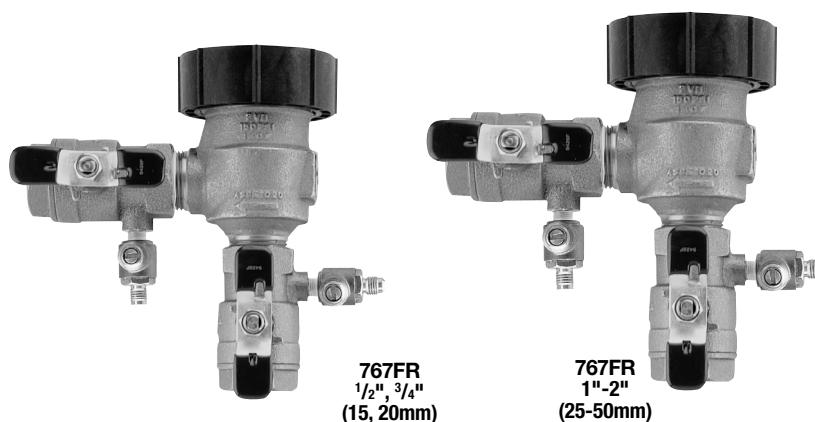


**INSTALLATION INSTRUCTIONS****Series 767FR****Anti-Siphon Pressure Vacuum Breaker  
featuring Replaceable Seats**

Sizes: 1/2" - 2" (15-50mm)



**Function:** To protect the potable water supply from backflow from a non-potable source due to a drop in supply.

**Protection:** Pressure i.e. backsiphonage

**Installation Instructions****Requirements:**

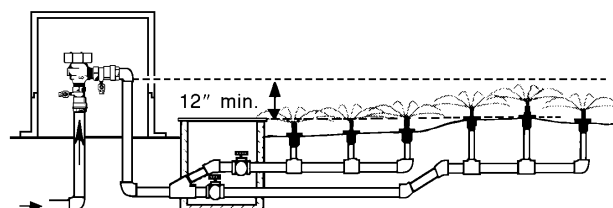
1. Install 12" (300mm) above highest point of downstream piping.
2. Install bonnet side up and allow for accessibility for testing/service.
3. Install where discharge or spillage is not objectionable.
4. Do not undersize supply or oversize the valve in relation to demand.
5. Do not install where backpressure can occur.
6. Protect from extended freezing.
7. ASSE Standard 1020 requires that the atmospheric vent valve remains open until the valve body pressure exceeds 1 lb. Until this pressure is reached, some amount of spillage will occur at the atmospheric vent. In order to minimize this leakage on start-up, close the downstream shutoff valve and open inlet shutoff valve quickly

**Recommended Service:**

1. Test periodically as required by local jurisdictional authorities.
2. Open test cocks to drain in cold climates if only operated seasonally.
3. **Replace** rubber goods every 5 years.

**Pressure-Temperature:**

Working Temp:	33°F-140°F (.56°C-60°C)
Max. Pressure	150psi (10.3 bar)
Min. Pressure	15psi (103kPa)



**IMPORTANT: INQUIRE WITH GOVERNING AUTHORITIES  
FOR LOCAL INSTALLATION REQUIREMENTS**

**CALIFORNIA PROPOSITION 65 WARNING**

**WARNING:** This product contains chemicals known to the State of California to cause cancer and birth defects or other reproductive harm. (California law requires this warning to be given to customers in the State of California.)

For more information: [www.watts.com/prop65](http://www.watts.com/prop65)

**Limited Warranty:** FEBCO warrants each product to be free from defects in material and workmanship under normal usage for a period of one year from the date of original shipment. In the event of such defects within the warranty period, the Company will, at its option, replace or recondition the product without charge. This shall constitute the sole and exclusive remedy for breach of warranty, and the Company shall not be responsible for any incidental, special or consequential damages, including without limitation, lost profits or the cost of repairing or replacing other property which is damaged if this product does not work properly, other costs resulting from labor charges, delays, vandalism, negligence, fouling caused by foreign material, damage from adverse water conditions, chemical, or any other circumstances over which the Company has no control. This warranty shall be invalidated by any abuse, misuse, misapplication or improper installation of the product. **THIS WARRANTY IS IN LIEU OF ALL OTHER WARRANTIES, EXPRESS OR IMPLIED, INCLUDING ANY IMPLIED WARRANTIES OF MERCHANTABILITY OR FITNESS FOR A PARTICULAR PURPOSE.** Any implied warranties that are imposed by law are limited in duration to one year.

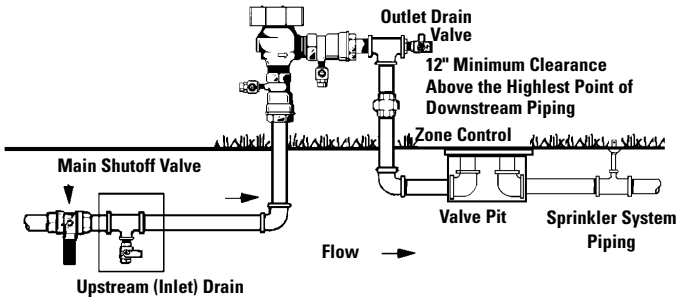
Some States do not allow limitations on how long an implied warranty lasts, and some States do not allow the exclusion or limitation of incidental or consequential damages. Therefore the above limitations may not apply to you. This Limited Warranty gives you specific legal rights, and you may have other rights that vary from State to State. You should consult applicable state laws to determine your rights.



## Freeze Protection Guidelines

### Purging of a PVB Assembly with Pressurized Air

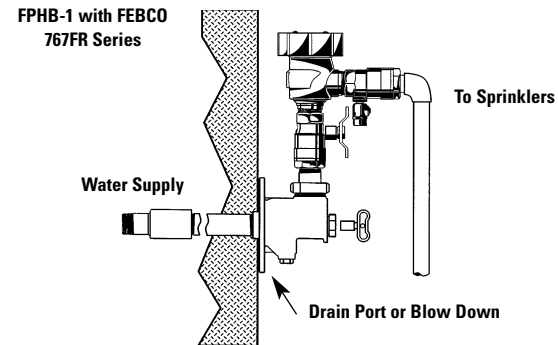
1. Close main shutoff valve.
2. Open upstream drain, test cocks and isolation ball valves to depressurize line.
3. Purge with pressurized line.
4. Leave test cocks and isolation ball valve handles in 45° angle to drain ball valves and prevent casting damage.



## Installation Instructions

### Using FPHB-1 Hydrant

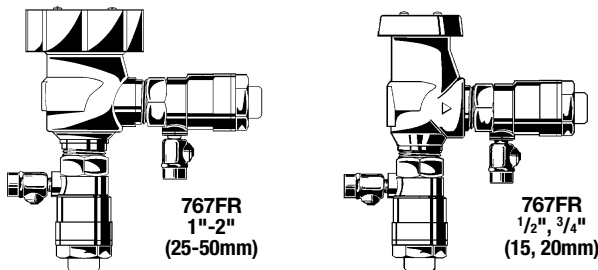
**Note:** PVB's must be installed a minimum of 12" (300mm) above the highest point of water in the sprinkler system.



## Repair Kits 1/2" - 2" (15-50mm)

## Servicing the Vacuum Breakers

Internal parts can be removed, repaired or inspected without removing the valve from the piping.



### Disassembly

1. Shut off the supply pressure and drain the valve.
2. Remove the two hood screws and the hood.
3. Place a wrench on the parallel flats of bonnet and stem assembly. Turn counter clockwise and remove.
4. Remove the vent assembly.
5. Press down on the spring retainer and disengage it from the retaining lugs. Then turn 90° and remove.
6. Remove the spring retainer and spring. Note that the large diameter of the spring is down on the guide assembly.
7. Remove the check disc holder and guide assembly.
8. Disassemble the check disc holder assembly.

### Reassembly

Reassemble in the reverse order utilizing the new parts from the repair kit.

ORDERING CODE	MODEL	SIZE	
		in	mm

#### Check Kits

0710590	RK 767FR CK	1/2, 3/4	15, 20
0710591	RK 767FR CK	1	25
0710592	RK 767FR CK	1 1/4 - 2	32 - 50

**Kits consist of:** Check disc assembly (disc & disc holder). Bonnet O-ring and Check Spring.

#### Vent Float Kits

0710593	RK 767FR V	1/2, 3/4	15, 20
0710594	RK 767FR V	1	25
0710595	RK 767FR V	1 1/4 - 2	32 - 50

**Kits consist of:** Float vent disc assembly (vent float, seal & spring) and Bonnet O-ring.

#### Bonnet Assembly Kits

0710596	RK 767FR B	1/2, 3/4	15, 20
0710597	RK 767FR B	1	25
0710598	RK 767FR B	1 1/4 - 2	32 - 50

**Kits consist of:** Bonnet, Bonnet O-ring, Vent spring, hood & hood screws.

#### Rubber Parts Kits

0710599	RK 767FR RT	1/2, 3/4	15, 20
0710600	RK 767FR RT	1	25
0710601	RK 767FR RT	1 1/4 - 2	32 - 50

**Kits consist of:** Vent disc, Check disc and Bonnet O-ring.

#### Seat Kits

0710602	RK 767FR S	1/2, 3/4	15, 20
0710603	RK 767FR S	1	25
0710604	RK 767FR S	1 1/4 - 2	32 - 50

**Kits consists of:** Seat, Seat O-ring and Bonnet O-ring.

FEBCO reserves the right to change or modify product design, construction, specifications, or materials without prior notice and without incurring any obligation to make such changes and modifications on FEBCO products previously or subsequently sold.

